

(PINK)



Southern Drive, Busselton WA 6280
All Correspondence to: The Chief Executive Officer,
Locked Bag 1, Busselton WA 6280
Ph: (08) 9781 0444 – Fax: (08) 9752 4958
Email: city@busselton.wa.gov.au
Web: www.busselton.wa.gov.au

CITY OF BUSSELTON
Application for Crossover Contribution
FOR COMPLETED CROSSOVER ONLY

NAME (Owner(s) of property):
RESIDENTIAL ADDRESS:
POSTAL ADDRESS:
EMAIL ADDRESS:
CONTACT NUMBERS: MOBILE:

Are you registered for GST? YES NO

- If Yes, please insert your ABN
Is the crossover being constructed in the course of your registered business? YES NO
If Yes, a signed Recipient Created Tax Invoice Agreement is required. Please contact the City's Finance Compliance Officer on 9781 0444.

I/WE HEREBY MAKE APPLICATION FOR A COUNCIL CONTRIBUTION TOWARDS THE CROSSOVER CONSTRUCTED AT THE FOLLOWING PROPERTY:

HOUSE NUMBER:
LOT/LOCATION NUMBER:
STREET NAME:

If Pavers less than 60mm in thickness are used, the following information is to be provided:

PAVER MANUFACTURER:
NAME OF PAVER:

PLEASE NOTE THAT: RECEIPTS FOR CROSSOVER CONSTRUCTION MAY BE REQUIRED

- Tick for change of postal address.
Tick for change of residential address.

I/We give permission for the City of Busselton to use this information to change the address/name details on all City managed systems. This form must be signed by the property owner. If the property is owned jointly, both/all property owners must sign. If signed by a power of attorney, a copy of the power of attorney must be provided. If executed by a company, the form must be executed in accordance with the Company's constitution and the Corporations Act 201 (C'wealth).

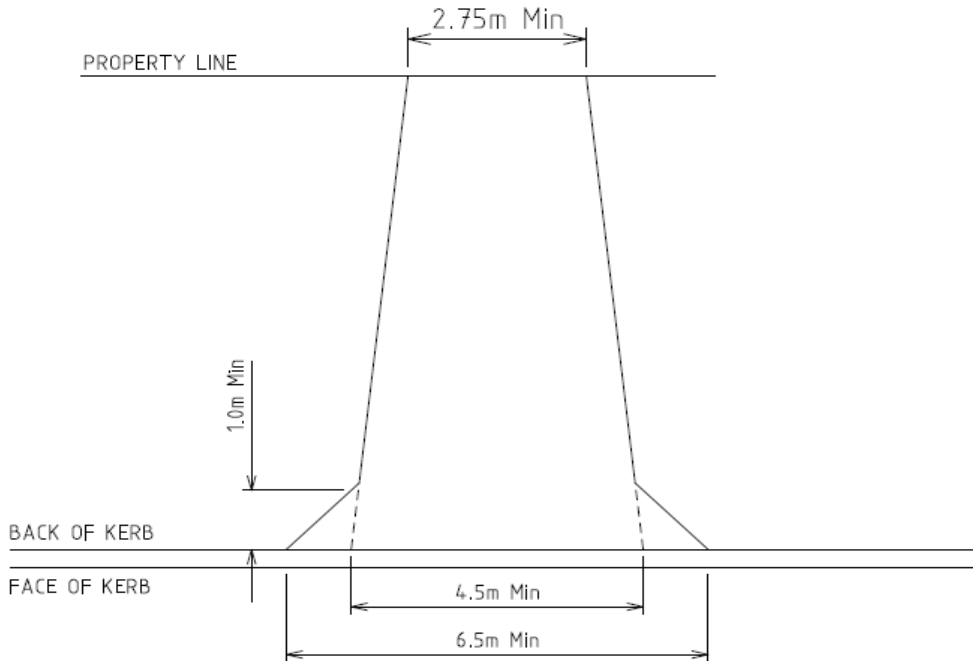
Signatures Required to Process:

OWNER / SOLE DIRECTOR / SOLE SECTRETARY: Signature DATE:

OWNER / SOLE DIRECTOR / SOLE SECTRETARY: Signature DATE:

(PINK)

MINIMUM CROSSOVER DIMENSIONS



PLEASE NOTE:

Submit application for a constructed crossover only.
 Applicants will not receive the Council's crossover refund when the crossover does not meet the "minimum crossover dimensions" as above. (Referenced in the City of Busselton's - Engineering and Works Services Standards and Specifications - Section 4 - Vehicle Crossovers - http://www.busselton.wa.gov.au/services/engineering/tech_stds)

OFFICE USE ONLY

LENGTH metres

CURRENT RATES:

- GRAVEL \$5.50/m²
- 2 COAT BITUMEN..... \$8.80/m²
- ASPHALT \$12.10/m²
- CONCRETE..... \$16.50/m²

BRICK/BLOCK\$18.70/m²

COMMENTS

.....

.....

APPROVED FOR PAYMENT:

NO YES AMOUNT \$ _____

Please pay to the applicant named above, the amount specified.

SIGNATURE: _____ DATE: _____