



Shire of Esperance Public Cemeteries Application for Approval to Erect Monument

- Esperance Cemetery
 Salmon Gums Cemetery

Date of Application: ____ / ____ / ____

Grave Number: _____

Details of the Applicant

Surname: _____
First Name: _____
Residential Address: _____
Postal Address: _____
Phone Number: _____

Details of the Deceased

Surname of Deceased: _____
Other Names of Deceased: _____

I hereby certify that I am authorised as – *(please tick as appropriate)*

- the person whose name the Grant of Right of Burial was issued;
 the personal representative of the holder of the grant;
 the person acting expressly on behalf of the holders personal representative.

For the abovementioned grave, to approve erection of the memorial detailed herein and I accept that the approval issued will be subject to conditions stipulated in the cemeteries act, the grant of right of burial and the local laws and regulations now or hereafter in force.

Signature of Grantee / Applicant _____

Note: the board is indemnified against any liability attributed to any incorrect statements or information contained in this form

Details of Mason – This section to be completed by the Monumental Mason

I hereby apply for permission to – *(please tick as appropriate)*

- install a new monument;
 renovate or add further monumental work to an existing monument.

Name of Firm: _____
Address: _____
Phone Number: _____
Quoted Cost: _____ Proposed date for works: ____ / ____ / ____
Signature of Mason _____

Office Use Only

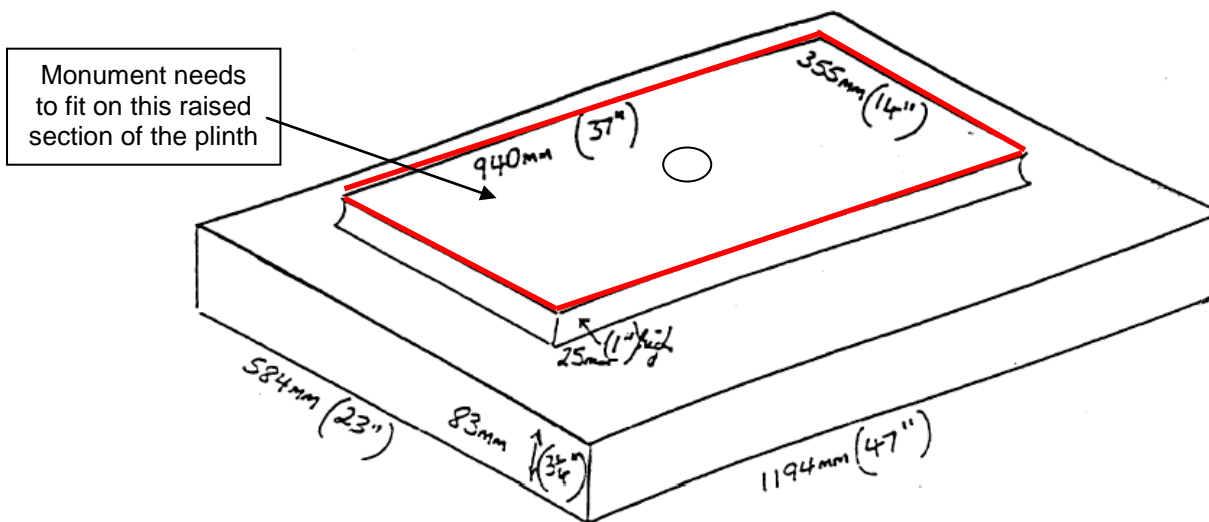
Receipt Number: _____ Fee Amount Paid: \$ _____
Authorised: _____
Date: _____

Shire of Esperance Public Cemeteries Memorial and Headstone Specifications

Monuments within the Lawn Section

Under current by-laws all monuments in the Lawn Section must be made of durable material and placed upon a base of durable material and must comply with certain specifications.

- The use of wood is not permitted.
- Size Requirements - A monument must not exceed 1 (one) meter in height and must not exceed the inside dimensions of the concrete plinth shown on the sketch below. The plinth base is 584mm (w) x 1194mm (l) x 83mm (h) and the inside base 355mm (w) x 940mm (l) x 25mm (h)
- A bronze memorial plaque may be attached to the monument. When the monument is placed on the plinth, the wording is to face the plot.
- All plans and specifications of memorials submitted must be carefully drawn and fully dimensioned and all materials specified. All descriptions are to be in block letters. All ornaments etc are to be shown and dimensioned. Size of all dowels and dowel holes are to be specified.



Rose Garden of Remembrance

- The standard plaque size is 178mm wide x 102mm high and shall be made of admiralty bronze
- Duel Plots (side by side) may allow a double plaque size being 385mm wide x 117mm high

Niche Wall

- The standard plaque size for the wall is 229mm wide X 229mm high and shall be made of admiralty bronze

Perinatal, Infant, Child section

- The standard plinth size is 330mm x 330mm square
- The plaque must fit within the plinth size. 4 standard plaques are available to choose from – heart, oval, teddy bear and koala. Plaque is to be made of admiralty bronze.

IMPORTANT NOTICE

Please be advised that the Shire of Esperance is not responsible for the insurance on monuments

The Shire of Esperance endeavours to keep the cemetery grounds as secure as possible, however we encourage plot owners to seek insurance on monuments if required.