

A Guide to
High Risk
Work Licensing
in Tasmania



Please note

This information is for guidance only and is not to be taken as an expression of the law. It should be read in conjunction with the Work Health and Safety Act 2012, the Work Health and Safety Regulations 2012 and any other relevant legislation. To view, go to the WorkSafe Tasmania website at www.WorkSafe.tas.gov.au

We welcome your feedback on this guide. Send to: wstinfo@justice.tas.gov.au

This guide was produced by staff from WorkSafe Tasmania.

Note on forms

All forms referred to in this guide are on the WorkSafe Tasmania website. Go to www.worksafe.tas.gov.au and search for the code (for example GF083).

Contents

1. Introduction	4
2. Applying for a Licence	5
3. Evidence of Identity Requirements	6
4. Duration of Licence	7
5. Changes in Circumstances	8
6. Lost, Stolen, Damaged or Destroyed Licence	8
7. Operation of Forklifts on Public Roads	8
8. Earthmoving Equipment	9
9. If No Licence is Required	10
10. Interstate Licensing Authorities	11
11. Licence classes and codes	13
12. Boiler Features Explained	44

I. Introduction

Under the Work Health and Safety Regulations 2012, you must not carry out specified classes of high risk work unless you hold the high risk work licence (HRW licence) for that class. See page 15 for the classes of high risk work.

A HRW licence is recognised in all states and territories of Australia, enabling the holder to perform high risk work under consistent standards.

The requirements to hold a HRW licence do not apply if you are:

- in the course of training towards gaining a high risk licence, and
- under the direct supervision of a person who is licensed to carry out the high risk work.

You cannot perform high risk work unless you hold a HRW licence or you are formally enrolled with a registered training organisation (RTO) and undergoing supervised training towards gaining assessment.

The RTO will ensure that training is provided, against standards outlined in the national unit of competency. When the RTO is satisfied you can meet the standards, an assessment is performed by an accredited assessor using a national assessment instrument.

Exceptions

A person who carries out high risk work involving plant is not required to be licensed if:

- the work is carried out at a workplace solely for the purpose of the manufacture, testing, trialing, installation, commissioning, maintenance, servicing, repair, alteration, demolition or disposal of the plant at that workplace or moving the plant within the workplace, and
- the plant is operated or used without a load except when standard weight loads with predetermined fixing points are used for calibration of the plant.

Moving includes operating the plant in order to load the plant onto, or unload it from, a vehicle or equipment used to move it.

A person who carries out work with a crane or hoist is not required to be licensed as a crane operator:

- if the work is limited to setting up or dismantling the crane or hoist, and
- if the person carrying out the work holds a licence in relation to rigging, which qualifies the person to carry out the work.

A person who carries out high risk work with a boiler that is being used for a historical purpose or activity or ancillary to a historical activity is not required to be licensed as a boiler operator. Examples of historical activity given in the Work Health and Safety Regulations include a historical display, parade, demonstration or re-enactment. Activity ancillary to a historical activity include restoring, maintaining, modifying, servicing a boiler used or to be used for a historical activity.

2. Applying for a Licence

You are eligible to obtain a licence if you:

- are at least 18 years of age
- have undertaken a recognised course of training with an RTO
- can use English at a level that enables the safe performance of high risk work
- have the necessary knowledge and ability to safely perform the high risk work
- have been assessed as competent by an accredited assessor working for an RTO using the relevant assessment instrument under realistic workplace conditions.

To apply for a HRW licence, you must complete the relevant unit of competency for each class of high risk work you apply for. If you are at least 18 years of age, you are eligible to obtain a licence. Training may start at an earlier age. Training against the unit of competency must be provided by an RTO.

You will then undergo an assessment by an accredited assessor on behalf of the RTO, using the national assessment instrument for that class of high risk work. When found competent, you will be issued an Assessment Summary and Interim Licence. There will be two copies issued:

- a pink copy, which you keep as an interim licence
- a white copy, which will be attached to your application when lodging at Service Tasmania.

An interim licence is only valid for 60 days so you will need to go to Service Tasmania before the 60 day expiry.

How to lodge your application

You will need to take the required documentation in person to a Service Tasmania outlet. Your application will be forwarded to WorkSafe Tasmania for processing.

You will need to go to a Service Tasmania outlet with:

- a completed application form (GF083)
- a current Assessment and Interim Summary Assessment provided by an accredited assessor
- evidence of identity documentation (see page 6)
- the prescribed fee.

Your photograph will be taken.

If you do not receive your new licence within 60 days, you must call WorkSafe Tasmania on 1300 366 322. If you fail to do so, you may need to go to Service Tasmania to reapply and a new fee will be incurred.

Note: Applications not correctly completed or are not accompanied by the required documentation will not be accepted.

3. Evidence of Identity Requirements

Before starting training and assessment, an accredited assessor/RTO must verify your identity, date of birth, signature and current address. All documents must contain your name in full, not just the initials, and copies will not be accepted.

These documents will also be required when you go to Service Tasmania to lodge your application.

Note: this is only required for new applicants who do not hold a HRW licence.

Accepted forms of identification include:

- one document from Category A plus two documents from Category B; or
- two documents from Category A plus one document from Category B.

Category A (All documents must be original and current)	Category B (All documents must be original and current)
Birth Certificate (not an extract) Citizenship papers Australian Passport/Visa Overseas Passport/Visa Driver Licence Firearm Licence Department of Immigration and Multicultural Affairs issued travel documents, including a Visa Department of Immigration and Multicultural Affairs issued Certificate of Evidence of Residential Status	Medicare Card Plastic Bank or Credit Card, with signature Tertiary Student Identity card Department of Veterans' Affairs/Centrelink Pensioner Concession Card Births Deaths and Marriages Change of Name/Marriage Certificate (to prove name change) Security Guard/Crowd Controller Licence Government issued Personal Photo ID Card

4. Duration of Licence

All HRW licences must be renewed every five years. At the time of renewal, you will need to complete a declaration that you have maintained competency in all the classes of high risk work you wish to renew.

If you fail to renew before the expiry date, you have 12 months in which to apply, but you cannot conduct high risk work during that time. If after the 12 month period you fail to apply, you are deemed a new applicant and must contact an RTO to enrol and undergo assessment.

Renewing a HRW licence

WorkSafe Tasmania will send out a renewal notice to your last known postal address.

You will need to go to a Service Tasmania outlet with:

- the renewal notice or a completed renewal application (GF084), and
- your current HRW licence for identification, or
- evidence of identity documentation (see page 6) if you do not have a HRW licence, and
- the prescribed fee.

Your photograph will be taken.

WorkSafe Tasmania will not renew a licence more than 30 days before its expiry date.

If you do not receive your new licence within 60 days, you must call WorkSafe Tasmania on 1300 366 322. If you fail to do so, you may need to go to Service Tasmania to reapply and a new fee will be incurred.

Interstate Licence Holder Renewal

If you are an interstate licence holder who is now a resident in Tasmania, you can renew your licence at Service Tasmania. You will need to provide a copy of your current HRW licence with your application and meet the evidence of identity requirements.

5. Changes in Circumstances

You must notify WorkSafe Tasmania in writing within 14 days if:

- your residential/postal address details change
- you change your name (evidence will need to be provided)
- you become incapable of competently performing the high risk work
- your licence is suspended or cancelled by another state or territory.

6. Lost, Stolen, Damaged or Destroyed Licence

You must notify WorkSafe Tasmania in writing as soon as practicable if your licence is lost, stolen, damaged or destroyed.

You can apply for a replacement licence. You will need to go to a Service Tasmania outlet with:

- a completed replacement application form (GF086), including the licence number if known
- the reason you are applying for a replacement HRW licence
- the prescribed fee (explained below).

If the licence expiry date is 90 days or less, you will pay a renewal fee — this allows you to renew and replace your lost, stolen, damaged or destroyed licence in one transaction. You must ensure all the information is completed and contact details are current.

If the licence expiry date is more than 90 days, you will pay a replacement fee — you will be issued a replacement licence with the same expiry date as your original licence.

7. Operation of Forklifts on Public Roads

If you operate a forklift truck on any area open to the public (for example, any road, carpark), then you must have a current car driver's licence.

When you operate a forklift truck as part of your duties in a workplace you must also have a HRW licence.

For more information, call the Department of State Growth on 1300 135 513.

8. Earthmoving Equipment

HRW licences are not required under the Work Health and Safety Act 2012 for:

- front end loaders (LL)
- front end loader/backhoes (LB)
- front end loader of the skid steer types (LS)
- excavators (LE).

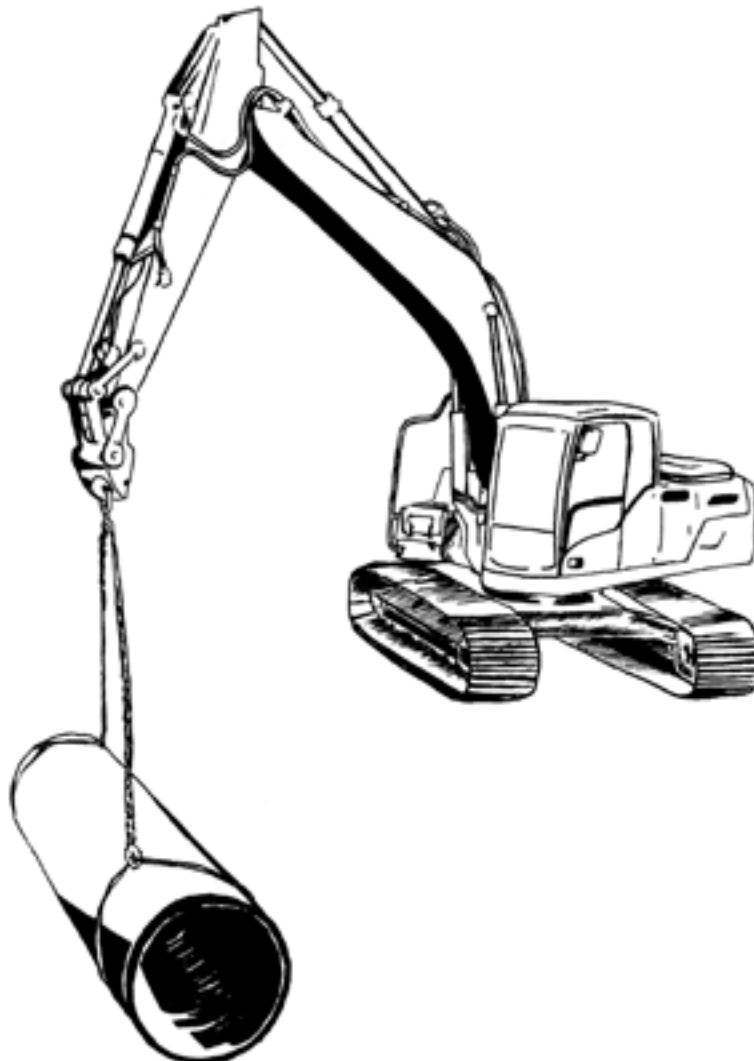
Earthmoving equipment used as a crane

The person conducting a business or undertaking (PCBU) must ensure that operators of earthmoving equipment receive specific training and instruction in using this type of equipment when used as a crane.

Operators must be adequately trained when operating earthmoving equipment as a crane. One way to achieve this is for the operator to do mobile crane training.

In all instances, the operator must have an understanding and knowledge of the mass of the load, capacity and restrictions of the earthmoving equipment being operated; and have access to the applicable load chart.

The person slinging the loads or directing the operator must at least hold a dogging HRW licence if they are required to exercise judgment about the mass of the load, the centre of gravity of the load, the selection of slings or sling attachment points, or if the load is partially or completely obscured from the operator's view.



9. If No Licence is Required

When a licence is not required, the PCBU must make sure operators have received adequate information, training, instruction and supervision to ensure they are competent and the equipment is used appropriately.

Operators must take reasonable care for their own health and safety, and must not adversely affect the health and safety of other persons. They must comply with codes of practice relevant to the item of plant and type of work they are doing, with any reasonable instruction, and co-operate with any reasonable policy or procedure for health and safety at the workplace.

PCBUs determining the competence of operators may rely on informal or formal training, or a combination of both.

- Formal training includes completing a nationally recognised course delivered by an RTO for the specific type of plant.
- Informal training includes on-the-job training delivered or supervised by a competent person, or in-house job specific training that involves the equipment and hazards associated with the equipment.

A person who is inexperienced should always operate equipment under the direct supervision of a competent person. To determine the level of supervision an operator requires, the PCBU should take into account their experience and competency, the risks associated with the tasks, and conditions on the worksite.

When determining an operator's competency, a PCBU can use the following as evidence of competency:

- statements of attainment in a nationally recognised unit of competency
- records of training completed at an industry training school
- records of on-job or in-house training and assessment
- documented experience such as log books, work diaries, letters of reference
- previous licence status
- plant, task and site specific training records
- documented skills maintenance activities.

Contact an RTO to find out which units of competency are available for the particular equipment.

Evidence of competency and training should be kept on file as a record.

10. Interstate Licensing Authorities

Australian Capital Territory

WorkSafe ACT

GPO Box 158, Canberra ACT 2601

Phone: (02) 6207 3000

Fax: (02) 6205 0336

Email: WorkSafe@act.gov.au



New South Wales

WorkCover NSW

Locked Bag 2906, Lisarow NSW 2252

Phone: 131 050

Fax: (02) 4325 4145

Email: LicensingSolutions@workcover.nsw.gov.au



Northern Territory

NT WorkSafe

GPO Box 2391, Darwin NT 0801

Phone: 1800 193 111

Fax: (08) 8999 5141

Email: ntworksafe@nt.gov.au



Queensland

Work Health and Safety Queensland

PO Box 820, Lutwyche QLD 4030

Phone (07) 3225 2000

Fax: (07) 3225 1540

Email: whsqldlicensing@justice.qld.gov.au



South Australia

SafeWork SA

GPO Box 465, Adelaide SA 5001

Phone: (08) 8303 0400

Fax: (08) 8204 9200

Email: help@safework.sa.gov.au

Interstate Licensing Authorities (continued)

Western Australia

WorkSafe WA

PO Box 294, West Perth WA 6872

Phone: (08) 9327 8777

Fax: (08) 9321 8973

Email: safety@commerce.wa.gov.au



Victoria

Victoria WorkCover Authority

GPO Box 4293, Melbourne Vic 3001

Phone: (03) 9641 1444

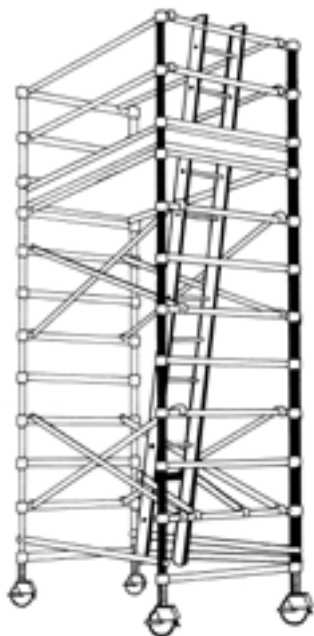
Fax: 1800 060 727

Email: info@vwa.vic.gov.au

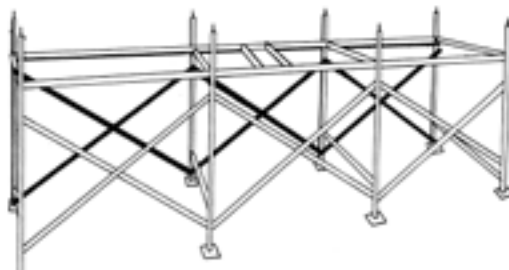


II. Licence classes and codes

Basic Scaffolding Licence – SB



*Prefabricated scaffold
(tower frame type)*



*Prefabricated scaffold
(frame type)*



*Prefabricated scaffold
(modular type)*

For the purpose of licensing, scaffolding work means erecting, altering or dismantling a temporary structure that is or has been erected to support a platform and from which a person or object could fall more than 4 metres from the platform or the structure.

The scope of work for a basic scaffolding licence includes:

- modular or prefabricated scaffolds
- cantilevered materials hoist with a maximum working load of 500 kg (materials only)
- ropes
- gin wheels
- safety nets and static lines
- bracket scaffolds (tank and formwork).

Basic scaffolding work does not include:

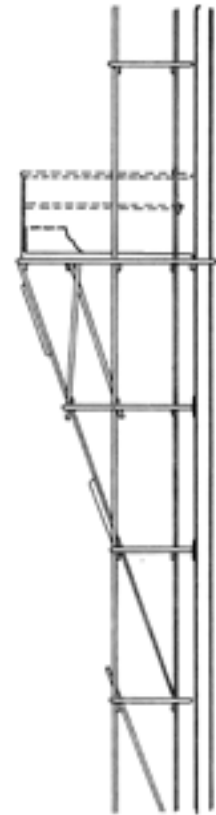
- cantilevered crane loading platforms
- cantilevered and spurred scaffolds
- barrow ramps and sloping platforms
- scaffolding associated with perimeter safety screens and shutters
- mast climbing work platforms
- tube and coupler scaffolds (including tube and coupler covered ways and gantries)
- cantilevered hoists
- suspended scaffolds
- hung scaffolds, including scaffolds hanging from tubes, wire ropes and chains.

You can erect and dismantle safety nets and static lines if you hold the basic rigging licence.

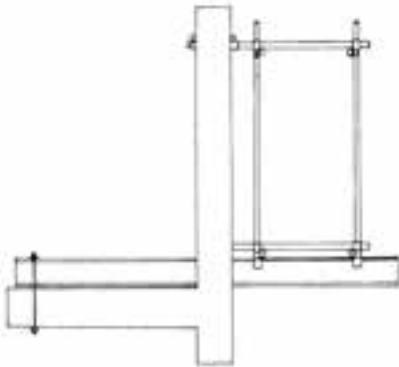
Intermediate Scaffolding Licence – SI



Tube-and-coupler scaffold



Spurred scaffold



Cantilevered scaffold

The scope of work for intermediate scaffolding includes:

- scaffolding work included in the class of Basic Scaffolding
- tube and coupler scaffolds including tube and coupler covered ways and gantries
- cantilever crane loading platforms
- cantilever and spurred scaffolds
- barrow ramps and sloping platforms
- scaffolding associated with perimeter safety screens and shutters
- mast climbing work platforms.

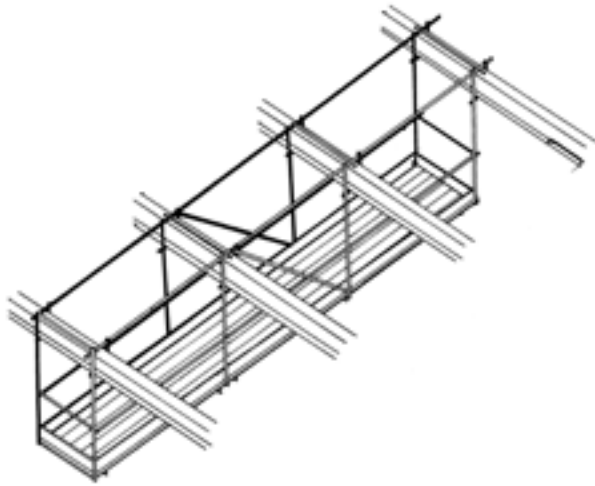
Intermediate scaffolding work does not include:

- cantilevered hoists
- hung scaffolds, including scaffolds hanging from tubes, wire ropes or chains
- suspended scaffolds.

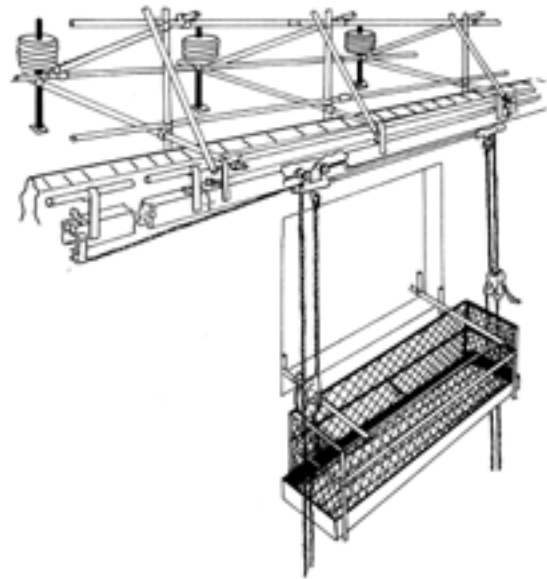
It is a prerequisite that applicants for an intermediate scaffolding licence already hold or have passed assessment for a basic scaffolding licence or alternatively assessment for the applicants must incorporate the requirements for basic scaffolding assessments.

You can erect and dismantle cantilevered crane loading bays and mast climbers if you hold the basic rigging licence or equivalent.

Advanced Scaffolding Licence – SA



Hung scaffold



Suspended scaffold (swing stage type)

The scope of work for advanced scaffolding includes:

- scaffolding work included in the Intermediate scaffolding class
- cantilevered hoists
- hung scaffolds, including scaffolds hanging from tubes, wire ropes or chains
- suspended scaffolds.

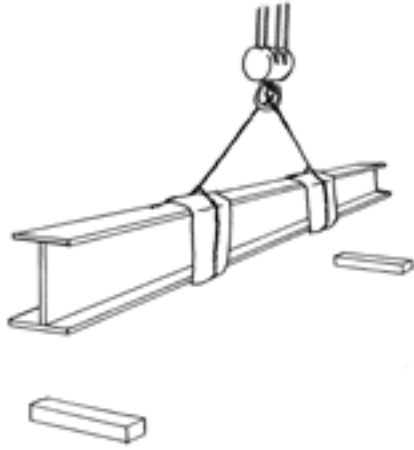
It is a prerequisite that applicants for an advanced scaffolding licence already hold or have previously passed assessment for a basic and intermediate scaffolding licence or alternatively assessment for the applicants must incorporate the requirements for intermediate scaffolding assessments.

You can erect and dismantle cantilevered hoists (no restrictions) if you hold an intermediate rigging licence or equivalent.

You can erect and dismantle hung scaffolds that are fully fabricated if you hold the advanced rigging licence or equivalent.

You can erect and dismantle suspended scaffolds if you hold the advanced rigging licence provided that, where the scaffold incorporated is a tube and coupler suspension, rig, an intermediate scaffolding licence of equivalent is also held.

Dogging – DG



For the purposes of licensing, dogging work means the application of slinging techniques, including selection and/or inspection of lifting gear to safely sling a load or directing plant operator in the movement of a load when the load is out of the operator's view.

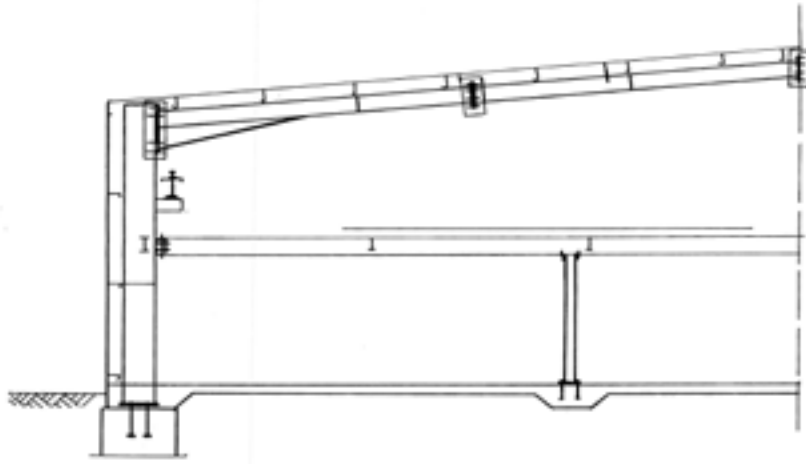
Slinging technique means the exercising of judgement in relation to the suitability and condition of lifting gear and the method of slinging, by consideration of the nature of the load, its mass and its centre of gravity.

You do not require a licence if you are slinging loads that don't involve slinging techniques, and the load remains in the clear view of the plant operator and there is no requirement to exercise judgement about:

- which sling to use
- how to sling the load
- the condition of the sling or load and its centre of gravity

You can carry out dogging work if you hold a basic, intermediate or advanced rigging licence.

Basic Rigging – RB



Steel erection

For the purposes of licensing, rigging work means the use of mechanical load shifting equipment and associated gear to move, place or secure a load including plant, equipment or members of a structure to ensure the stability of those members. It also includes the setting up and dismantling of cranes and hoists.

The scope of work for basic rigging includes:

- dogging work
- structural steel erection
- particular hoists
- pre-cast concrete members of a structure
- safety nets and static lines
- mast climbing work platforms
- perimeter safety screens and shutters
- cantilevered crane loading platforms

Basic rigging does not include:

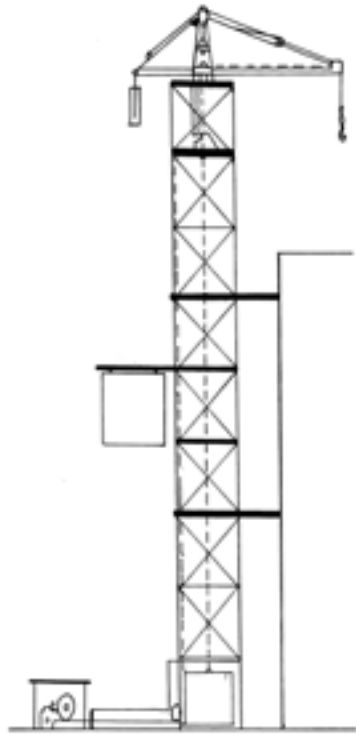
- all hoists with jibs and self-climbing hoists
- rigging of cranes, conveyors, dredges and excavators
- tilt slabs
- demolition of structures or plant
- dual lifts
- rigging of gin poles and shear legs
- flying foxes and cableways
- guyed derricks and structures
- suspended scaffolds and fabricated hung scaffolds.

It is a prerequisite that applicants for the basic rigging licence already hold or have previously passed assessment for a dogging licence or alternatively assessment for the applicants must incorporate the requirements for dogging assessments.

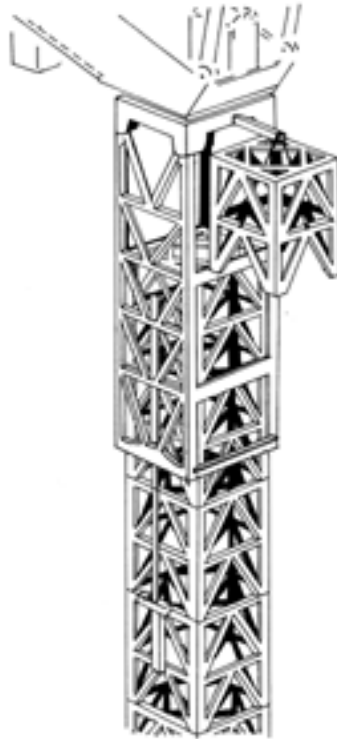
You can erect and dismantle safety nets and static lines if you hold a basic scaffolding licence.

You can erect and dismantle cantilevered crane loading platforms and mast climbers if you hold an intermediate scaffolding licence or equivalent.

Intermediate Rigging – RI



Typical hoist with jib



*Rigging of cranes
(tower crane type)*



*Tilt Slab with loading
equaliser gear*

The scope of work for intermediate rigging includes:

- rigging work in the class Basic Rigging
- hoists with jibs and self-climbing hoists
- rigging of cranes, conveyors, dredges and excavators
- tilt-slabs
- demolition of structures or plant
- dual lifts.

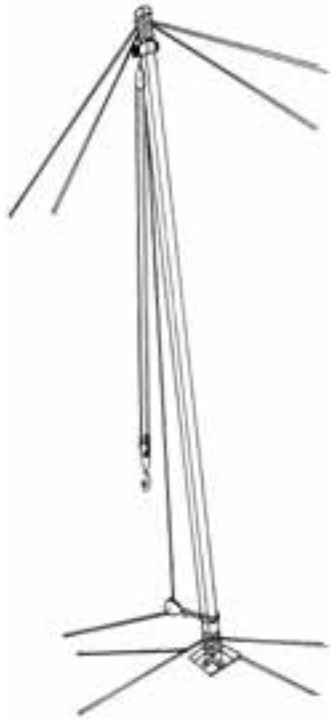
Intermediate rigging work does not include:

- rigging of gin poles and shear legs
- flying foxes and cableways
- guyed derricks and structures;
- suspended scaffolds and fabricated hung scaffolds.

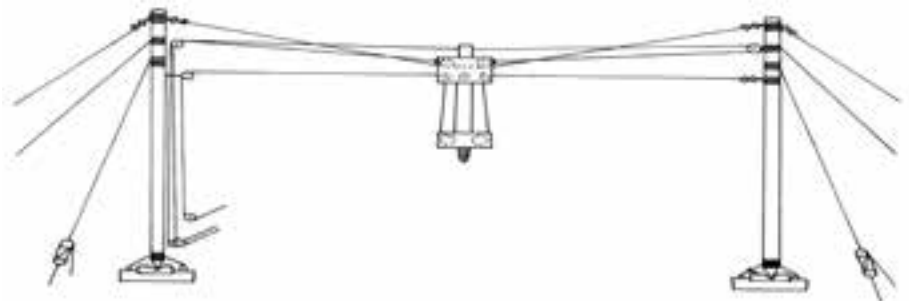
It is a prerequisite that applicants for the intermediate rigging licence already hold or have previously passed assessment for a dogging and basic rigging licence. Alternatively, assessment for applicants for the intermediate licence must incorporate the requirements of dogging and basic rigging licence assessments.

You do not require a licence if you are positioning integral outriggers or stabilisers to set up a crane or hoist.

Advanced Rigging – RA



Typical gin pole



Typical flying fox

The scope of work for advanced rigging includes:

- rigging work in the class Intermediate Rigging
- rigging of gin poles and shear legs
- flying foxes and cableways
- guyed derricks and structures
- suspended scaffolds and fabricated hung scaffolds.

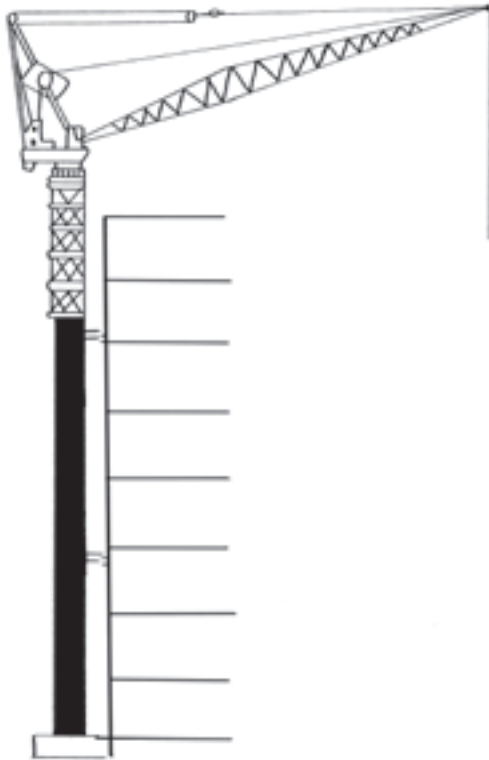
It is a prerequisite that applicants for the advanced rigging licence already hold or have previously passed assessment for a dogging, basic and intermediate rigging licence.

You do not require a licence if you are positioning integral outriggers or stabilisers to set up a crane or hoist.

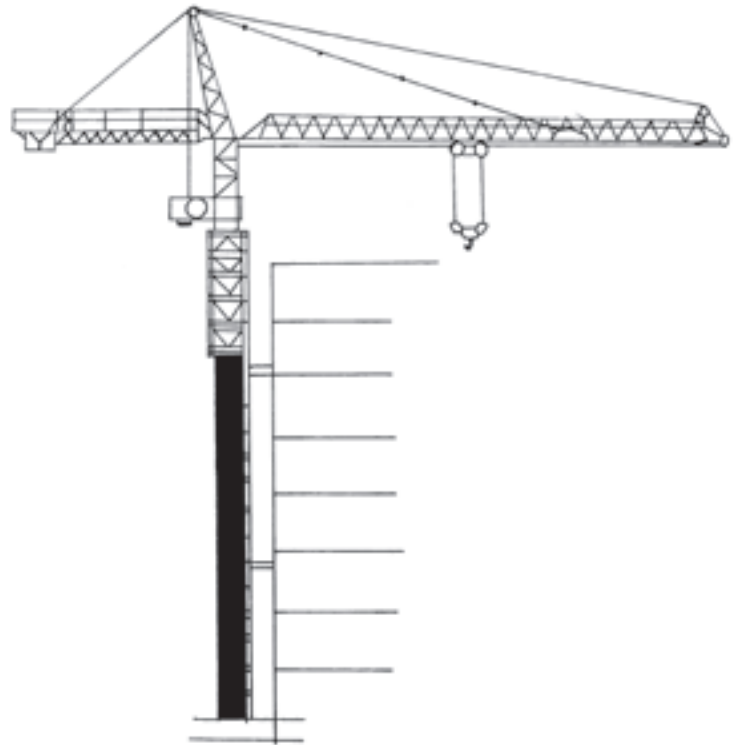
You can erect and dismantle suspended scaffolds and hung scaffolds if you hold an advanced scaffolding licence or equivalent.

You require the intermediate scaffolding licence or equivalent if you are erecting or dismantling tube and coupler suspension rigs for suspended scaffolds.

Tower Crane – CT



Tower crane (horizontal jib type)



Tower crane (luffing jib type)

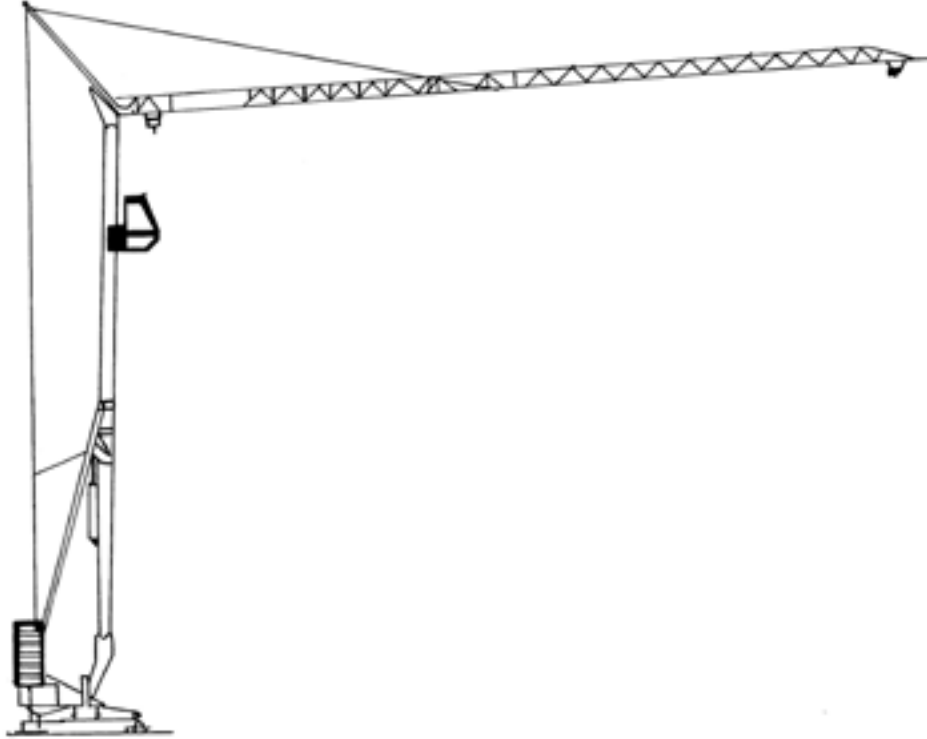
The scope for this licence class covers the operation of all tower cranes.

Tower crane means a boom crane or a jib crane mounted on a tower structure. Also the crane, if a jib crane, may be horizontal or luffing jib type and the tower structure may be demountable or permanent, but does not include a self-erecting tower crane.

Tower cranes are fixed to the ground on a concrete slab (and sometimes attached to the sides of structures). Tower cranes often give the best combination of height and lifting capacity and are used in the construction of tall buildings. The base is then attached to the mast which gives the crane its height. The mast is attached to the slewing unit (gear and motor) that allows the crane to rotate. On top of the slewing unit there are three main parts which are: the long horizontal jib (working arm), shorter counter-jib, and the operators cab.

The long horizontal jib is the part of the crane that carries the load. The counter-jib carries a counterweight, usually of concrete blocks, while the jib suspends the load to and from the center of the crane. The crane operator either sits in a cab at the top of the tower or controls the crane by radio remote control from the ground

Self Erecting Tower Crane – CS

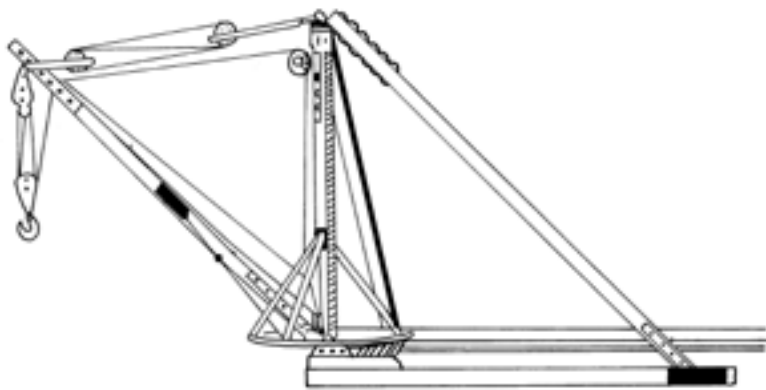


The scope for this licence class covers the operation of all self-erecting tower cranes.

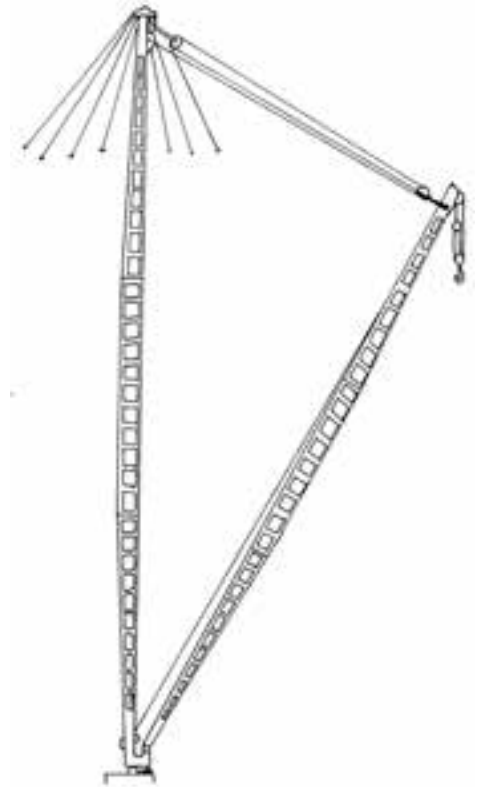
Self-erecting tower crane means a crane that is not disassembled into a tower element and a boom or jib element in the normal course of use and where the erection and dismantling processes are an inherent part of the crane's function

Self-erecting tower cranes lift themselves from the ground or lift an upper, telescoping section using jacks, allowing the next section of the tower to be inserted at ground level or lifted into place by the partially erected crane. Therefore they can be assembled without outside help, and can grow together with the building or structure they are erecting.

Derrick Crane – CD



Derrick crane (stiff-leg derrick)

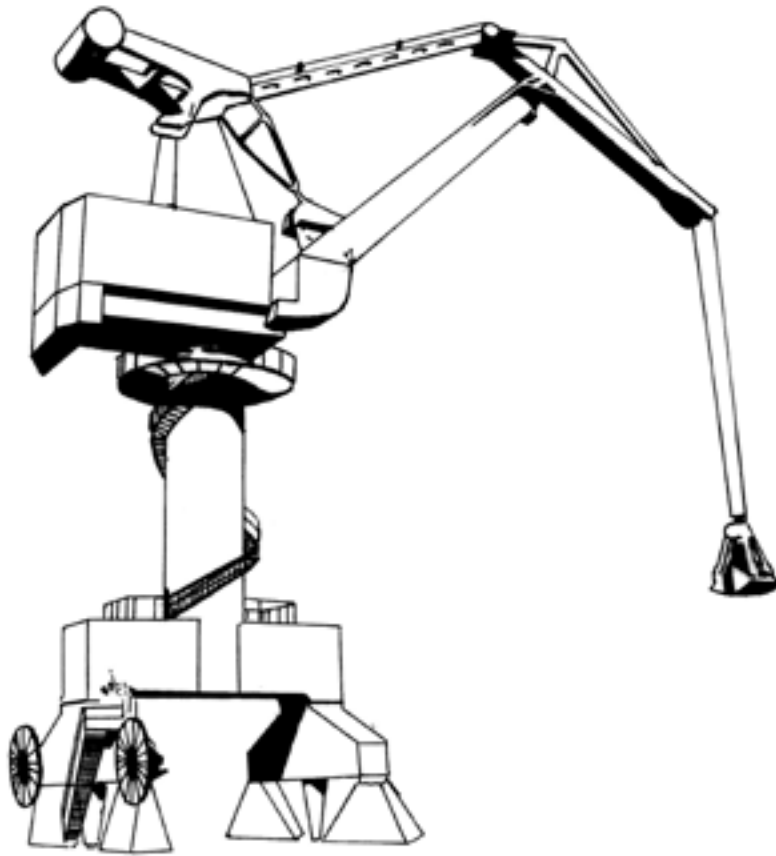


Derrick crane (guyed derrick)

The scope for this licence class covers the operation of all derrick cranes.

A derrick crane means a slewing strut-boom crane with its boom pivoted at the base of a mast which is either guyed (guy-derrick) or held by backstays (stiff-leg derrick) and which is capable of luffing under load.

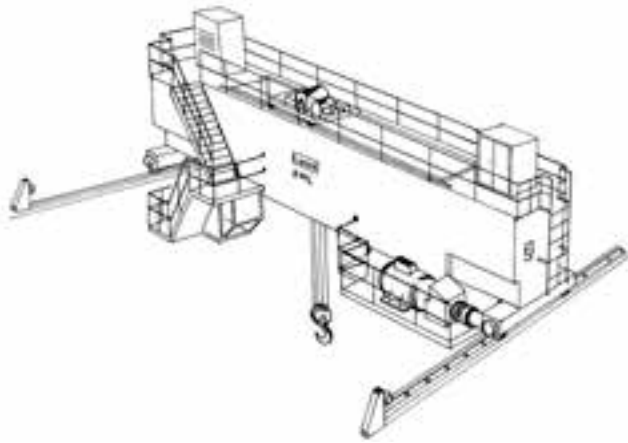
Portal Boom Crane – CP



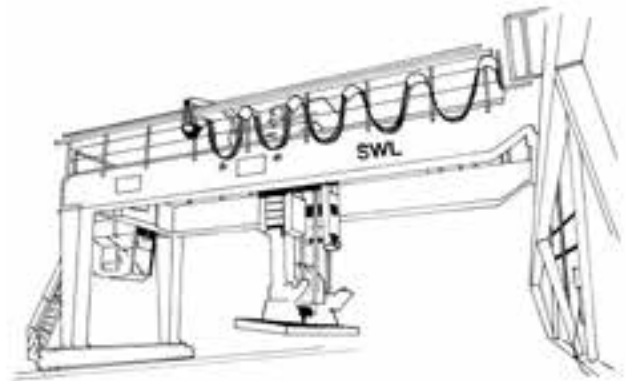
The scope of this licence class covers the operation of all portal boom cranes.

A portal boom crane means a boom crane or jib crane that is mounted on a portal frame that, in turn, is supported on runways along which the crane travels.

Bridge and Gantry Crane – CB



Bridge crane



Gantry crane (semi-gantry type)

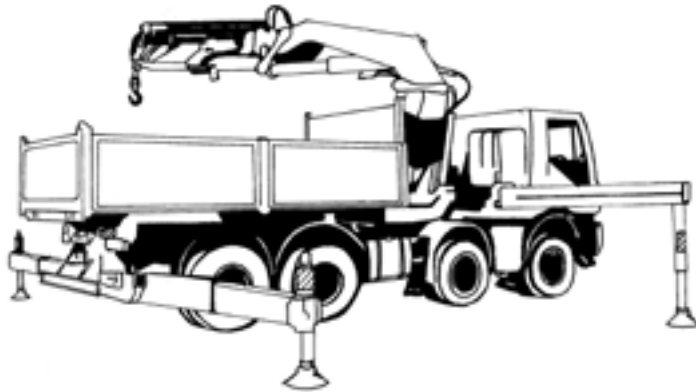
The scope for this licence class covers the operation of all bridge and gantry cranes.

A bridge crane consists of a bridge beam or beams mounted to an end carriage at each end, and is capable of traveling along elevated runways and having one or more hoisting mechanisms arranged to traverse across the bridge.

A gantry crane consists of a bridge beam supported at each end by legs mounted on end carriages, capable of traveling on supporting surfaces or deck levels, whether fixed or not, including a crab with one or more hoisting units arranged to travel across the bridge.

A licence is required if the bridge or gantry crane is controlled from a permanent cabin or control station on the crane or is remotely controlled and having more than 3 powered operations. This includes the application of load estimation and slinging techniques to move a load.

Vehicle Loading Crane – CV



The scope for this licence class covers the operation of all vehicle loading cranes with a capacity of ten metre tonnes or more including the application of load estimation and slinging techniques to move a load.

A vehicle loading crane is a crane mounted on a vehicle for the purpose of loading and unloading the vehicle. You may also operate a vehicle loading crane if you hold a slewing mobile crane operation licence.

Ten metre tonnes

For vehicle loading cranes (CV) that have a capacity of 10.0 metre tonnes or greater, the operator must have a HRW licence.

For operators of vehicle loading cranes where the maximum working load of the crane is less than 10 metre tonnes, the operator does not require a HRW licence. The operator is to be adequately trained to ensure they are competent to operate the crane.

The measurement of metre tonnes is obtained by multiplying the maximum mass that may be lifted at the particular slewing radius. This information is to be taken from the load chart which must be affixed to the crane in view of the operator.

It will only require one lifting capacity of 10.0 metre tonnes and over for the operator to be required to hold a HRW licence.

Example 1

With a jib fully extended at 12.0 metres, a vehicle crane can lift 850kg.
 $12.0 \text{ metres} \times 0.85 \text{ tonnes} = 10.2 \text{ metre tonnes}$

A HRW licence is required to operate the crane, irrespective of any other lifting options on the load chart.

Example 2

With a jib fully retracted, another vehicle crane at 3.0 metres reach can lift 3250 kg.
 $3.0 \text{ metres} \times 3.25 \text{ tonnes} = 9.75 \text{ metre tonnes}$

Check if any other lifting options fall within the licence requirement; if not, a HRW licence is not required to operate the crane, but the operator must be trained to be able to operate competently.

Example 3

With the jib half extended at 4.5 metres, a vehicle crane can lift 2550kg.
 $4.5 \text{ metres} \times 2.55 \text{ tonnes} = 11.475 \text{ metre tonnes}$

A HRW licence is required to operate the crane, irrespective of any other lifting options on the load chart.

Non-Slewing Mobile Crane – CN



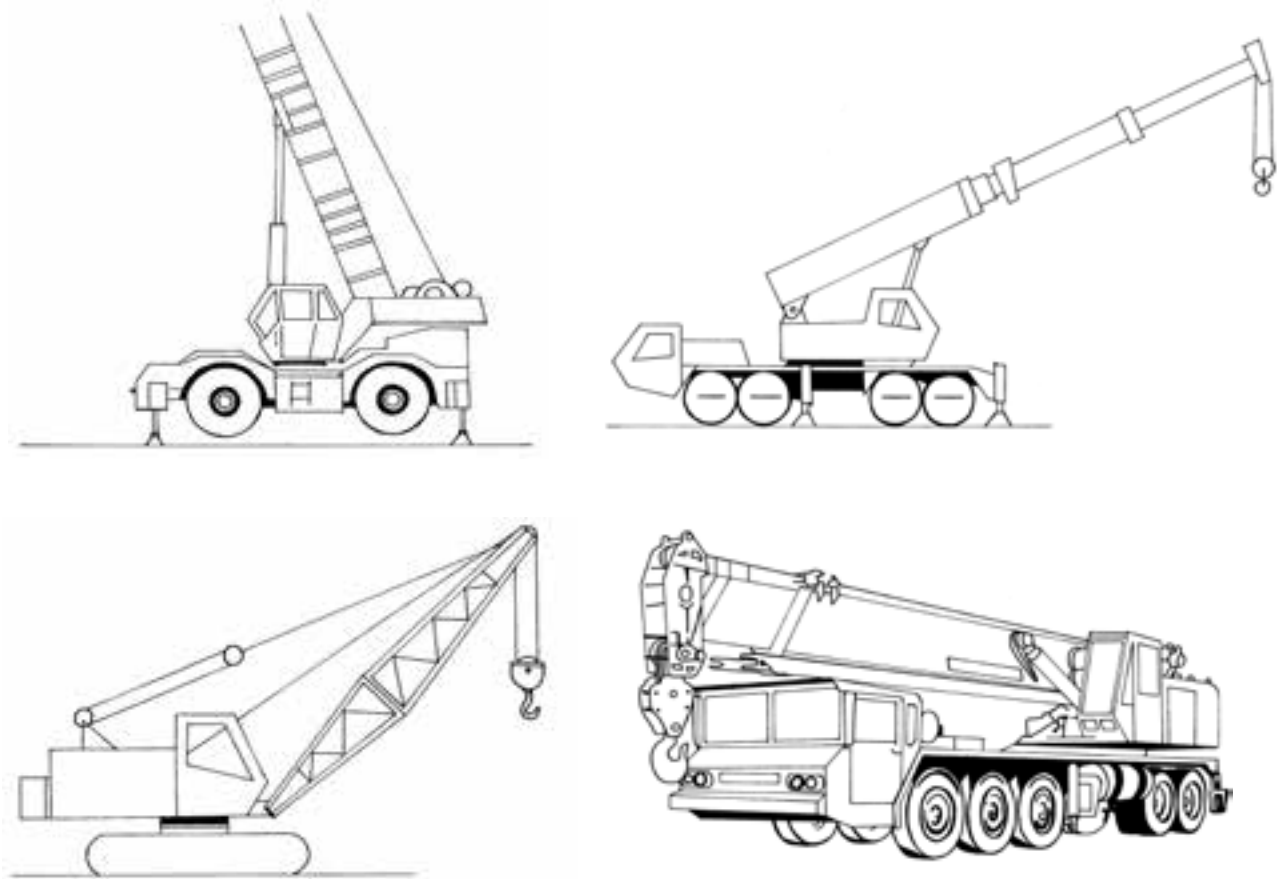
Non-slewing mobile crane (includes lattice and hydraulic boom types)

The scope for this licence is for the operation of a non-slewing mobile crane with a capacity greater than 3 tonnes.

A non-slewing mobile crane is a powered mobile crane that incorporates a boom or jib which does not slew and includes an articulated mobile crane or a locomotive crane but excludes a crane engaged in vehicle tow truck operation.

If you hold a slewing mobile crane operation licence or equivalent, you may also operate a non-slewing mobile crane.

Slewing Mobile Cranes



Slewing mobile cranes are mobile cranes incorporating a boom or jib that can be slewed. It excludes a front-end loader, a backhoe, an excavator or other earthmoving equipment when configured for crane operation. The licence class encompasses the requirement for the non-slewing mobile crane operation licence and the vehicle loading crane operation licence.

Slewing mobile crane with a capacity up to 20 tonnes – C2

The scope for this licence class covers the operation of slewing mobile cranes with a capacity up to 20 tonnes.

Slewing mobile crane with a capacity up to 60 tonnes – C6

The scope for this licence class covers the operation of slewing mobile cranes with a capacity up to 60 tonnes.

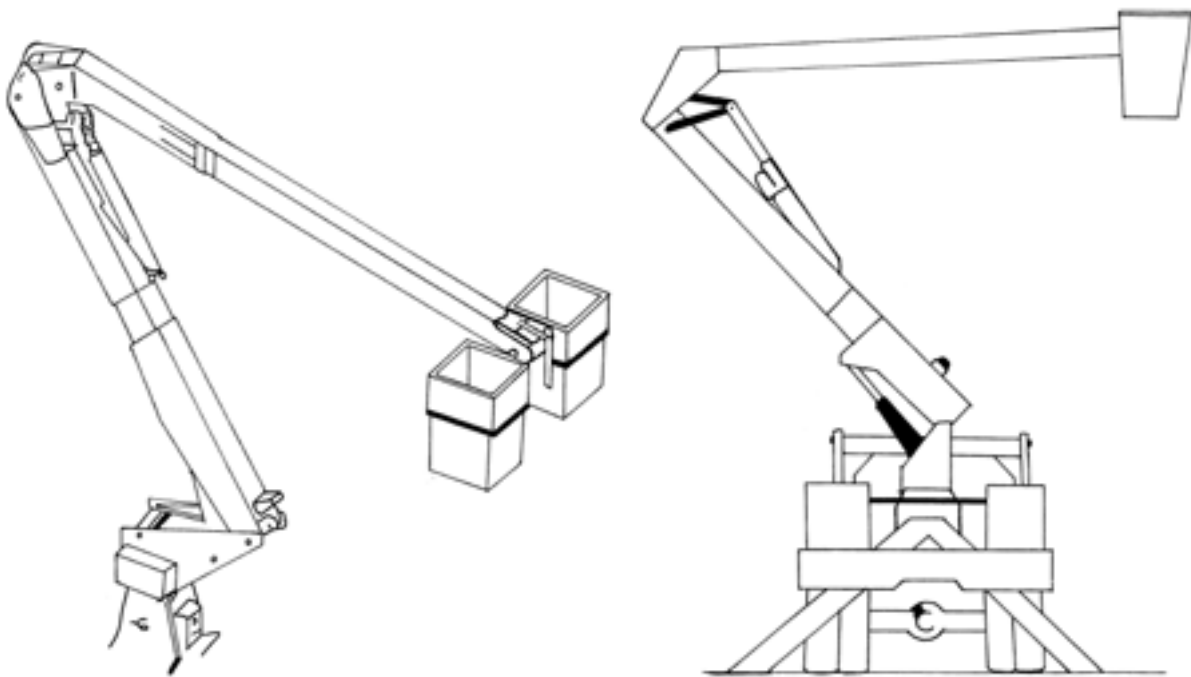
Slewing Mobile Crane – with a capacity up to 100 tonnes – C1

The scope for this licence class covers the operation of slewing mobile cranes with a capacity up to 100 tonnes.

Slewing Mobile Crane – with a capacity over 100 tonnes – C0

The scope for this licence class covers the operation of slewing mobile cranes of any capacity.

Boom Type Elevating Work Platform – WP



The scope for this licence covers the operation of all boom-type elevating work platforms.

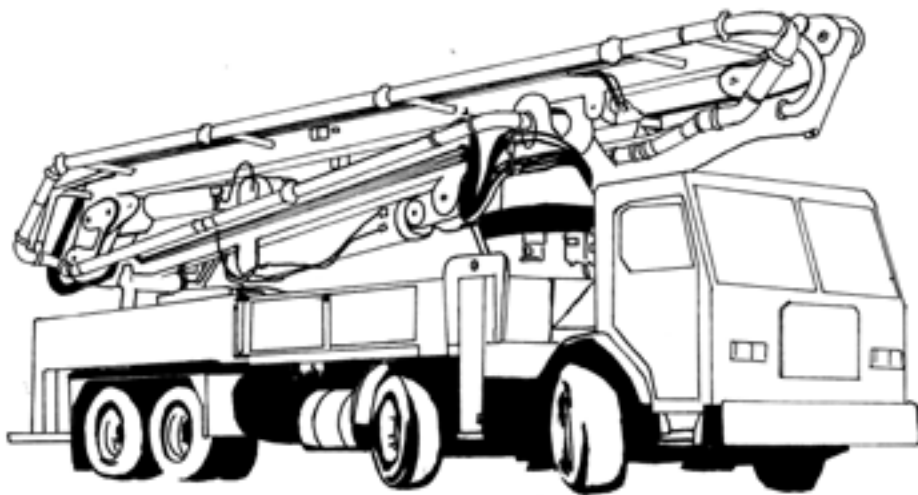
An elevating work platform is either a telescoping device, hinged device, articulated device or any combination of these used to support a platform on which personnel, equipment or materials may be elevated to perform work.

You do not require a licence if the boom length is less than 11 metres.

The length of the boom is the greater of the following:

- The vertical distance from the surface supporting the boom-type elevating work platform to the floor of the platform with the platform extended to its maximum height.
- The horizontal distance from the centre point of the boom's rotation to the outer edge of the platform with the platform extended to its maximum distance.

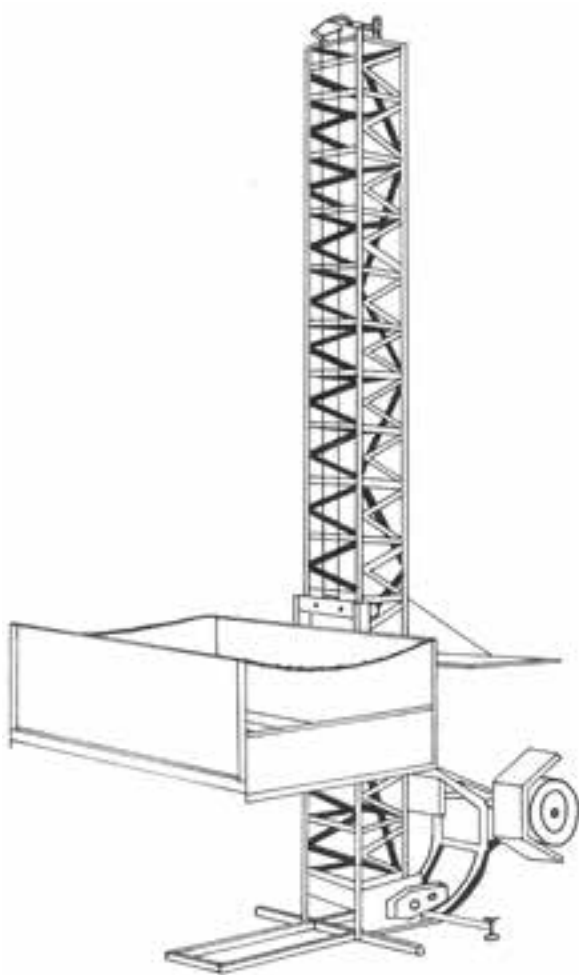
Concrete Placing Boom – PB



A concrete placing boom is plant incorporating a knuckle boom, capable of power operated slewing and luffing to place concrete by way of pumping through a pipeline attached to, or forming part of, the boom of the plant.

Please note the description for this licence class has been altered and no longer refers to mobile truck-mounted concrete placing booms only i.e. operators of satellite concrete placing booms are required to hold a HRW licence.

Materials Hoist – HM



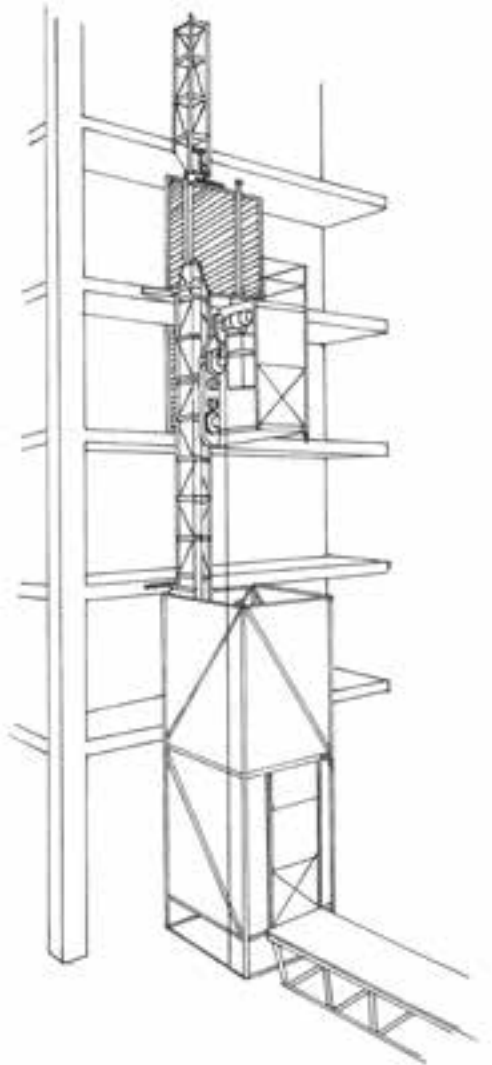
*Cantilevered platform materials hoist
(barrow hoist)*

The scope for this licence class covers the operation of materials platform hoists.

A materials hoist means a hoist that consists of a car, bucket or platform cantilevered from, and travelling up and down outside, a face of the support structure and is used for hoisting things and substances but not persons.

Materials platform hoists may also be operated by anyone holding a hoist (personnel and materials) operation licence or equivalent

Personnel and Materials Hoist – HP

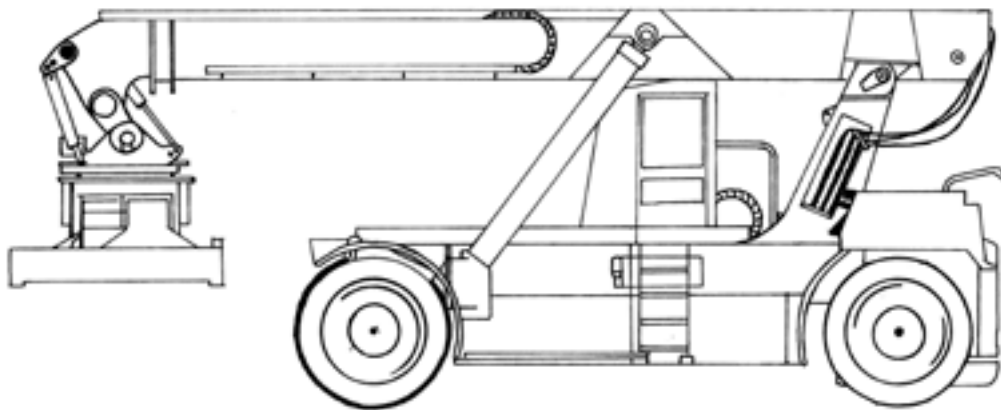


A materials or personnel hoist is a cantilevered hoist, a tower hoist or several winches configured to operate as a hoist and is intended to carry goods, materials or people.

It excludes a mast climber, building maintenance unit, suspending scaffold, jump form or slip form.

This licence encompasses the requires for the material hoist (cantilever platform operation licence).

Reach Stacker – RS

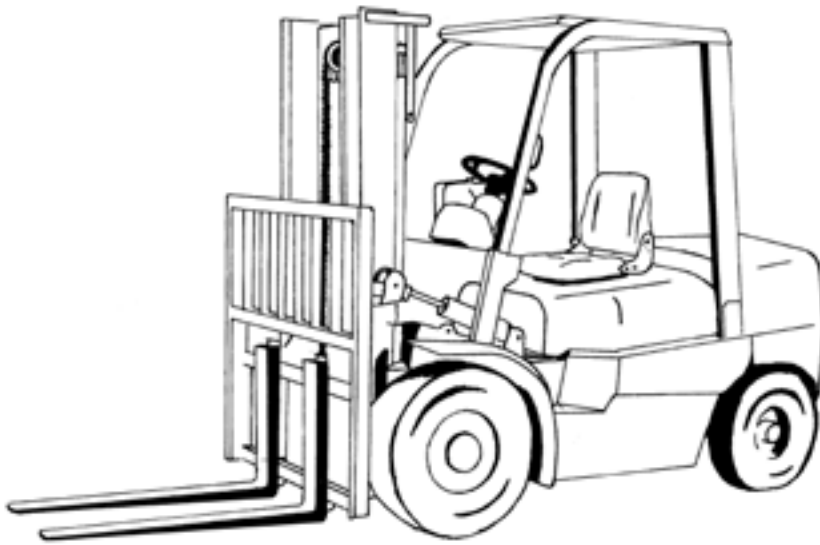


A reach stacker is a new class of HRW licence as of 1 January 2013.

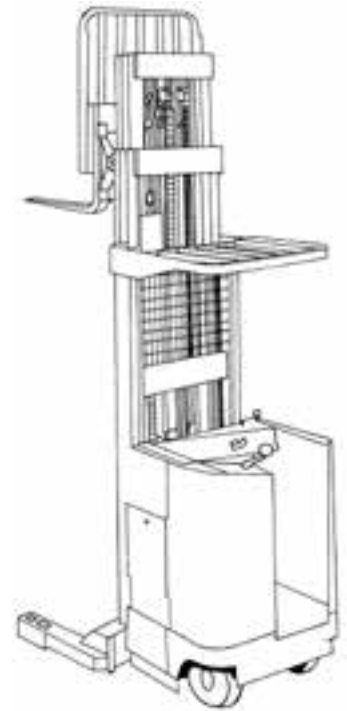
The reach stacker licence covers powered reach stackers of greater than three tonne capacity that incorporate an attachment for lifting, lowering, moving and travelling with a shipping container.

This does not include a portainer crane.

Forklift Truck – LF



Forklift truck (counter balanced type)



*Forklift truck
(non-counter balanced type)*

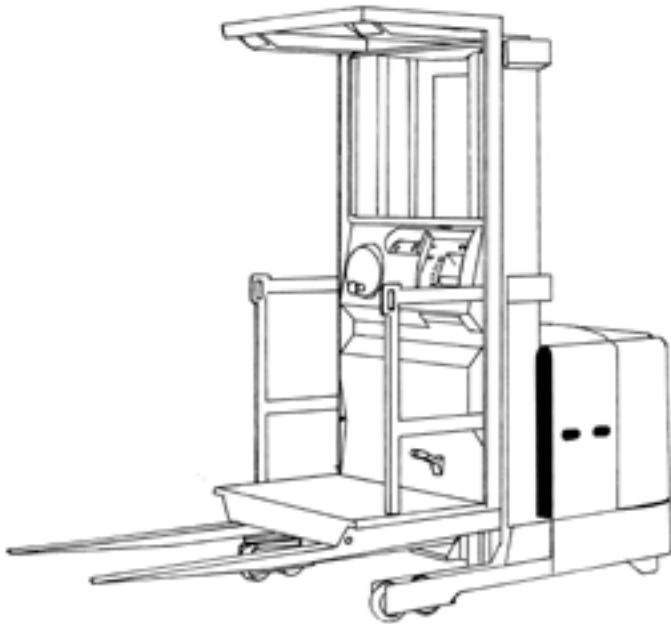
The scope for this licence class covers the operation of forklift trucks.

A forklift truck is a powered industrial truck equipped with lifting media made up of a mast and an elevating load carriage to which is attached a pair of fork arms or other arms that can be raised 900mm or more above the ground but does not include a pedestrian-operated truck or a pallet truck.

Forklift trucks are used to lift and transport materials and can be powered by electric motors or internal combustion engines running on petrol, diesel or LPG fuels.

This licence class does not include order-picking forklift trucks.

Order Picking Forklift Truck – LO



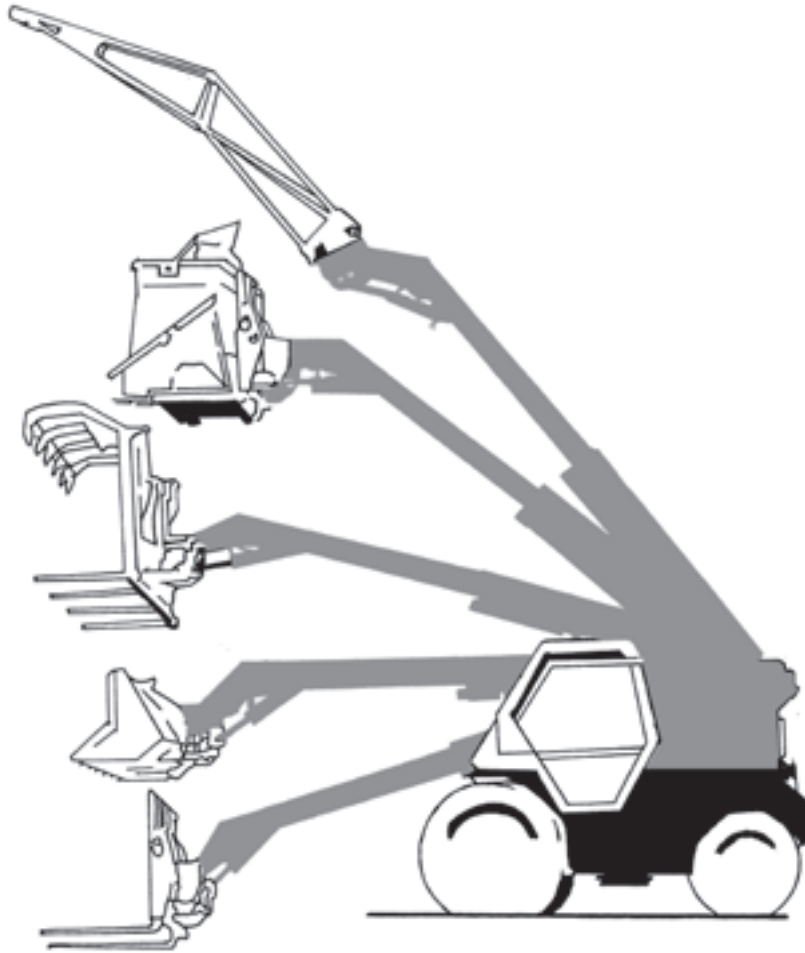
The scope for this licence class covers the operation of order-picking forklift trucks.

An order-picking forklift truck is a type of forklift truck where the operator's control is incorporated with the load carriage/lifting media and elevates with it.

Order-picking forklift trucks can be fitted with a platform extension for use in furniture warehouses, or can be a turret truck in narrow aisle warehouses.

This licence does not cover the operation of non order-picking forklift trucks.

Multi Tool Carrier / Telehandler



A multi tool carrier (also known as a variable reach truck, multi-purpose tool carrier or telehandler) can be fitted with a range of attachments that include hydraulic winch, hoisting block and hook, bucket, jib, bucket with grab, grab, earthmoving blade, concrete skip, earthmoving hoe, forks, elevating work platform, tyre handler.

Typically, multi tool carriers are used to travel with their load. When the load is supported on forks, it should be lowered as close to the ground as possible and the boom retracted during travel.

However, when the load is freely suspended, it needs to be elevated to prevent it snagging on the ground or other obstacles. The stability of the multi tool carrier may adversely be affected as the load can swing and exert additional dynamic forces. When operating on sloping ground, the potential for instability is increased, as the load will swing further from the point where it is connected to the multi tool carrier.

Multi Tool Carrier / Telehandler *continued*

Operators of multi tool carriers must hold an appropriate class of license for the work performed and attachments used in addition to the training requirements listed in the table listed below.

Attachment Fitted	Licence required
When multi tool carrier is non-slewing and fitted with a jib or used as a crane with a rated capacity of 3 tonnes or less	No licence is required by the legislation.
When multi tool carrier is non-slewing and fitted with a jib or used as a crane with a rated capacity greater than 3 tonnes	Operators must hold a non-slewing mobile crane licence (CN)
When slewing and fitted with a jib or used as a crane of any description	Operators must hold a slewing mobile crane Licence appropriate for the rated capacity (for example a C2 licence allows for a rated capacity up to 20t)
When machine is fitted with forks and similar attachments	No licence is required by the legislation
When machine is fitted with a loader bucket	No licence is specified by legislation
When machine is fitted with a boom-type elevating work platform greater than 11 metres	Operators must hold a boom-type elevating work platform Licence (code WP)

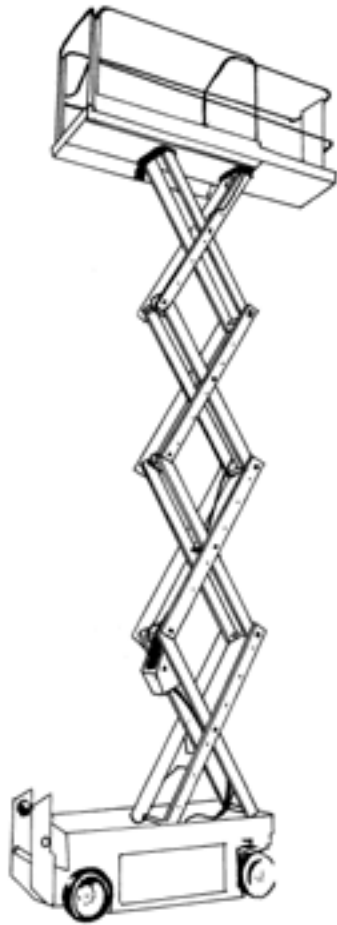
See section 9 for information on training.

Container Side Lifter



This includes mobile equipment featuring a boom or jib mounted on a vehicle without slewing capabilities used to lift and transport containers. You do not require a licence to operate a container side lifter.

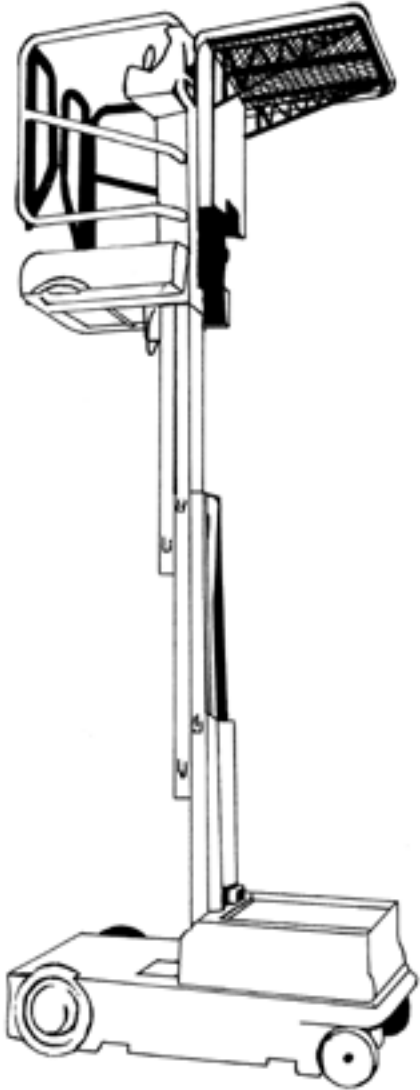
Scissor Hoist/Lift



You do not require a licence to operate a scissor hoist/lift.

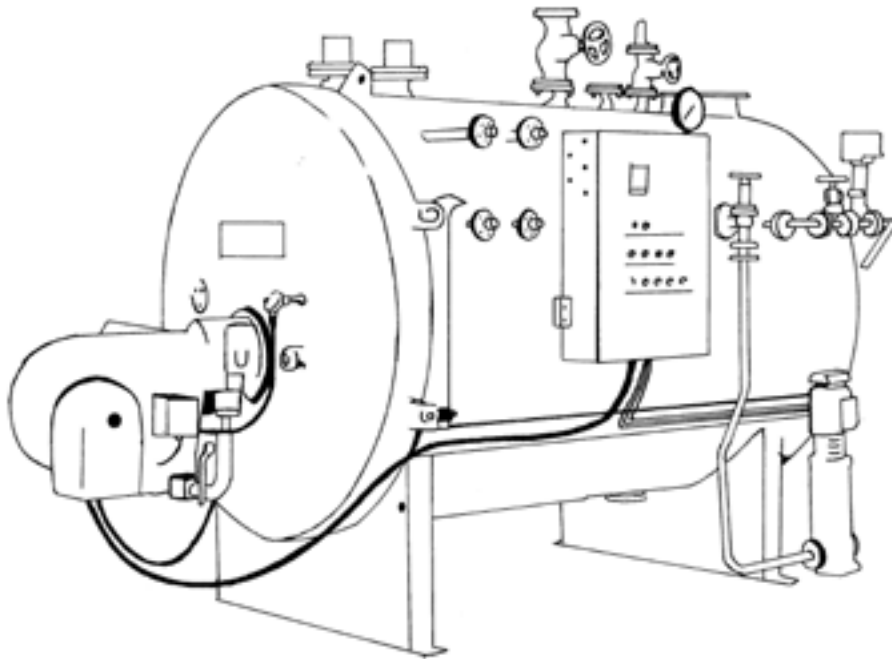
However operators must still be trained and instructed in the safe use of this plant.

Mobile Stock Picker



- You do not require a licence to operate a mobile stock picker.
- However operators must still be trained and instructed in the safe use of this plant.

Boiler Standard – BS



This licence class includes the operation of a boiler with a single fuel source that does not have a pre-heater, superheater or economiser attached.

This does not include:

- Fully flooded or pressurized system where water or another liquid is heated to a temperature lower than the normal atmospheric boiling temperature of the liquid;
- A direct fired process heater;
- Boilers with less than 5 square metres heating surface or 150 kilowatt output;
- Unattended boilers certified in compliance with AS2593:2004.

Boiler Advanced – BA

The scope of work for advanced boiler operation includes the operation of a boiler, including a standard boiler, which may have one or more of the following:

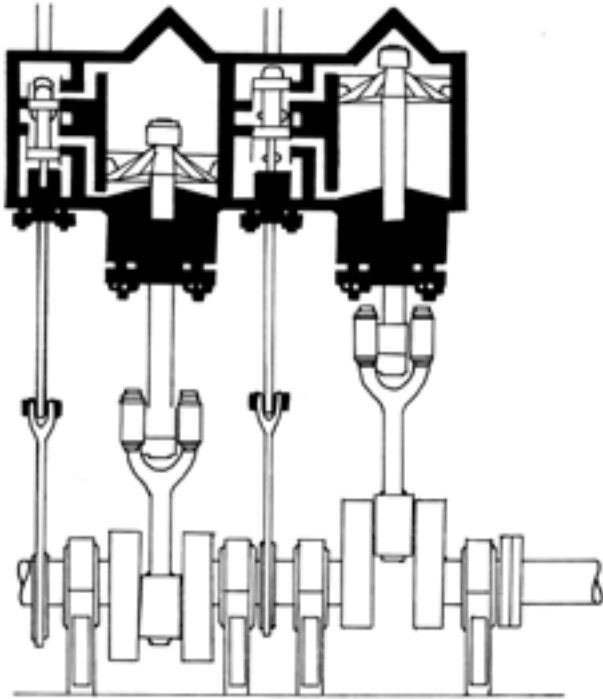
- multiple fuel sources
- pre-heater
- superheater
- economiser

It is a prerequisite that applicants for an advanced boiler licence already hold or have previously passed assessment for a lower level boiler operation licence.

If a person held a HRW licence prior to 1 January 2013 in the class(es) of Basic Boiler or Intermediate Boiler that person is taken to hold a new HRW licence in Standard Boiler.

Transitional arrangements from 1 January 2013 will allow a current Intermediate Boiler HRW licence holder to continue to operate boilers for which they are currently authorised until 31 December 2013. If they operate a boiler with a multiple fuel source, a pre heater, a superheater or an economiser they will need to upgrade to an Advanced Boiler licence in order to continue operating after 31 December 2013.

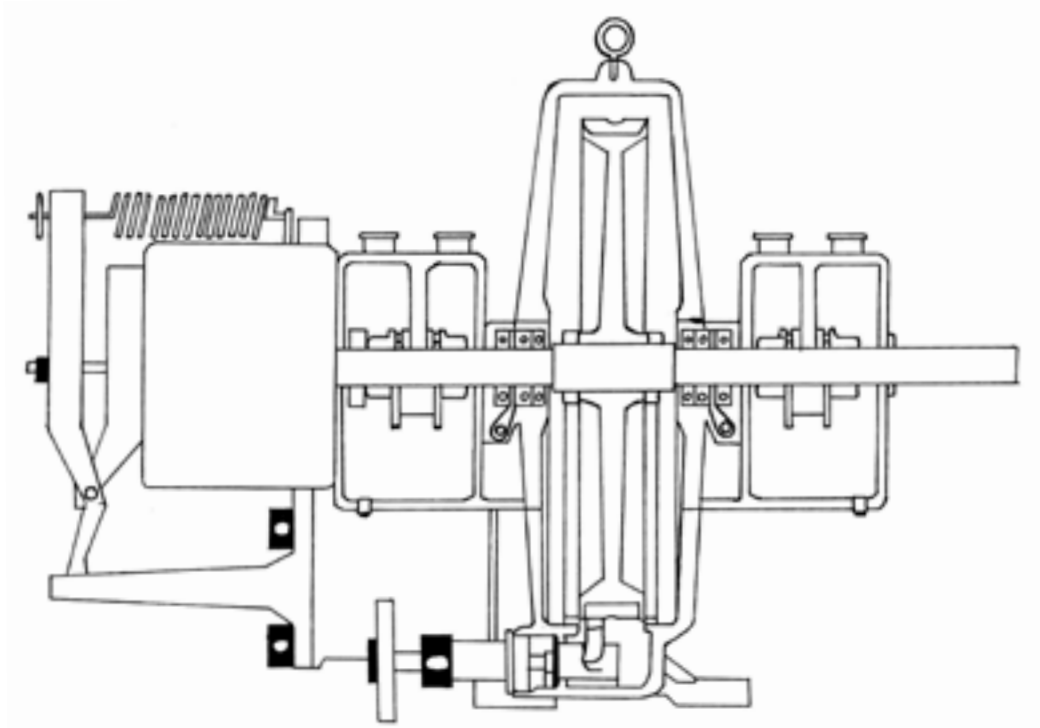
Reciprocating Steam Engine Operation – ES



Reciprocating steam engine means equipment that is driven by steam acting on piston causing the piston to move, and includes an expanding (steam) reciprocating engine.

This includes all expanding (steam) reciprocating engines and reciprocating steam engines with any piston diameter of greater than 250 millimetres.

Turbine Operation – TO



The class includes the operation of a turbine that has an output of 500kW or more and includes one of the following:

- multi-wheeled
- capable of a speed greater than 3600 revolutions per minute
- has attached condensers
- has a multi-staged heat exchange extraction process

A turbine means equipment that is driven by steam acting on a turbine or rotor to cause a rotary motion.

12. Boiler Features Explained

Multiple fuel source

This is a term applied to a boiler, which is designed to burn multiple types of fuels in its operation. A boiler operator would require an advanced endorsement when the operation relies on multiple fuel types that may be fired simultaneously. This does not include boilers that change fuel type during start sequence. A boiler that relies on multiple fuel types means a boiler that is fired using at least two of the following fuel types:

- gas
- liquid fuel, including oil and diesel fuel
- solid fuel, including coal (including pulverised coal), briquettes, coke, wood (including wood chips) or any other type of solid fuel.

Pre-heaters

The purpose of a preheater is to recover lost heat from the boiler flue gas which increases the thermal efficiency of the boiler by reducing the useful heat lost in the flue gas. As a consequence, the flue gases are also conveyed to the flue gas stack (or chimney) at a lower temperature, allowing simplified design of the conveyance system and the flue gas stack. It also allows control over the temperature of gases leaving the stack to meet emissions requirement. Pre-heaters have not been defined but have generally been considered as large plant with air pre-heaters only, as opposed to small plant with feedwater heaters as many small plants will have simple feedwater pre-heaters. Pre-heaters should be limited to air and steam re-heaters for multi stage steam heating arrangements but exclude feedwater pre-heaters.

Superheater

A superheater is a device used to convert saturated steam or wet steam into dry steam used in steam engines or in processes, such as steam reforming. There are three types of superheaters namely: radiant, convection, and separately fired. A superheater can vary in size from a few metres or some hundred metres. In a steam engine, the superheater re-heats the steam generated by the boiler, increasing its thermal energy and decreasing the likelihood that it will condense inside the engine. Steam which has been superheated is logically known as superheated steam; non-superheated steam is called saturated steam or wet steam. Superheaters were applied to steam locomotives in quantity from the early 20th century, to most steam vehicles, and to stationary steam engines.

Economiser

In boilers, economisers are basically heat exchange devices that heat fluids, usually water, up to but not normally beyond the boiling point of that fluid. Economisers are so named because they can make use of the heat energy in fluid streams that are hot, but not hot enough to be used in a boiler, thereby recovering more useful heat energy and improving the boiler's efficiency.

1300 366 322
www.worksafe.tas.gov.au

For more information contact

Phone: 1300 366 322 (within Tasmania)
(03) 6166 4600 (outside Tasmania)

Fax: (03) 6233 8338

Email: wstinfo@justice.tas.gov.au

ISBN: 978 1 876712 06 6

